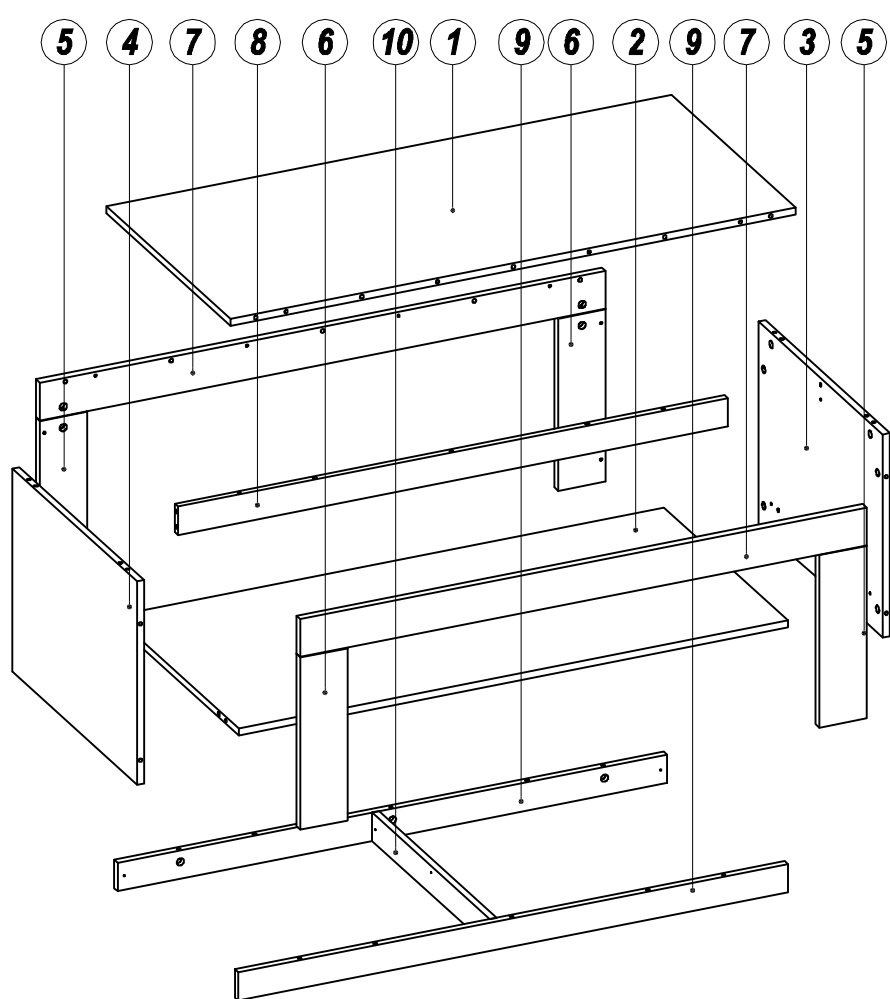
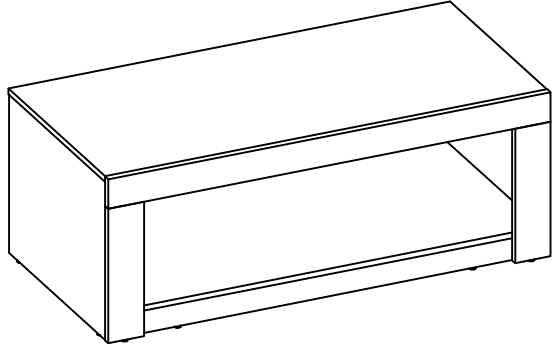
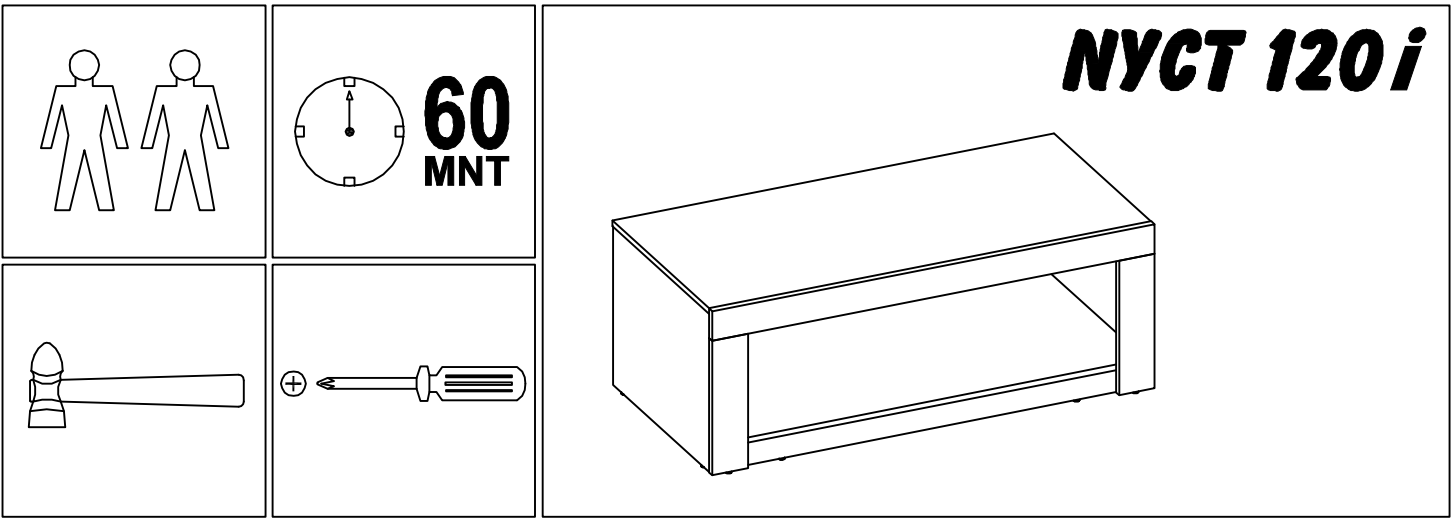


NYCT 120 i



A x 35	B x 39	C x 35	D x 32	E x 4	F x 4
G x 4	H x 7	J x 14	K x 14		
		 Ø3.5 X 12 mm			

1

2x

H x4	J x4 Ø 3.5 X 12 mm	K x4
A x6	B x10	D x8

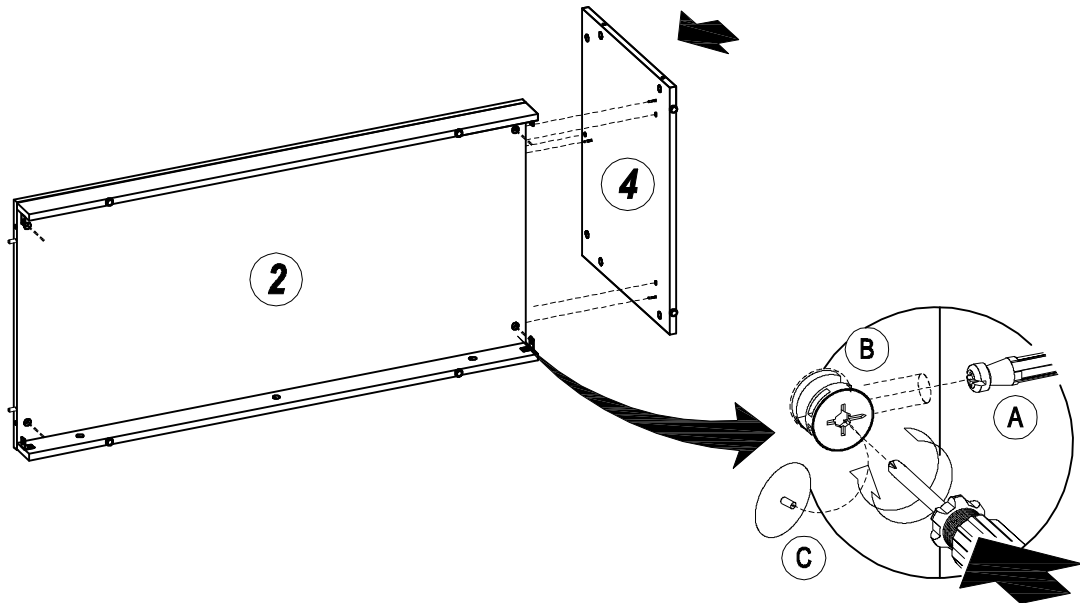
2

C x6

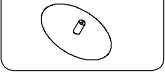
3

A x6	B x17	D x8	K x4
-------------	--------------	-------------	-------------

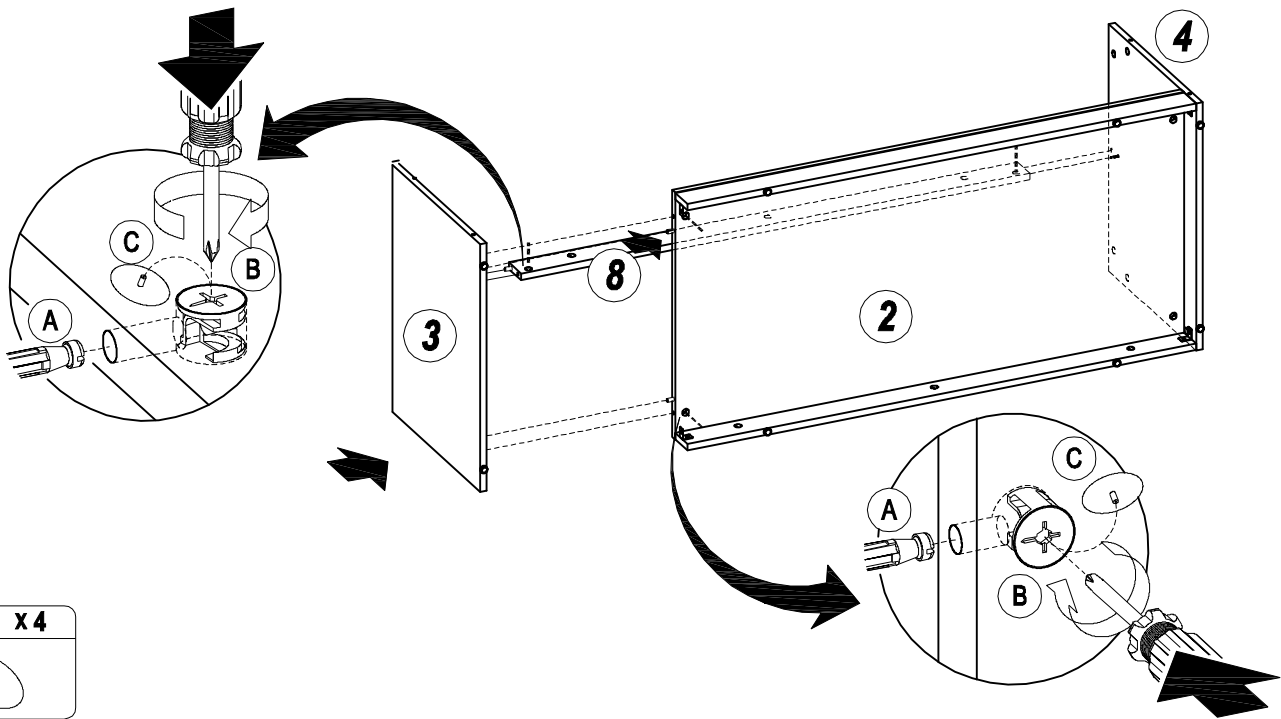
4



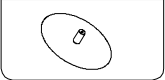
C x2



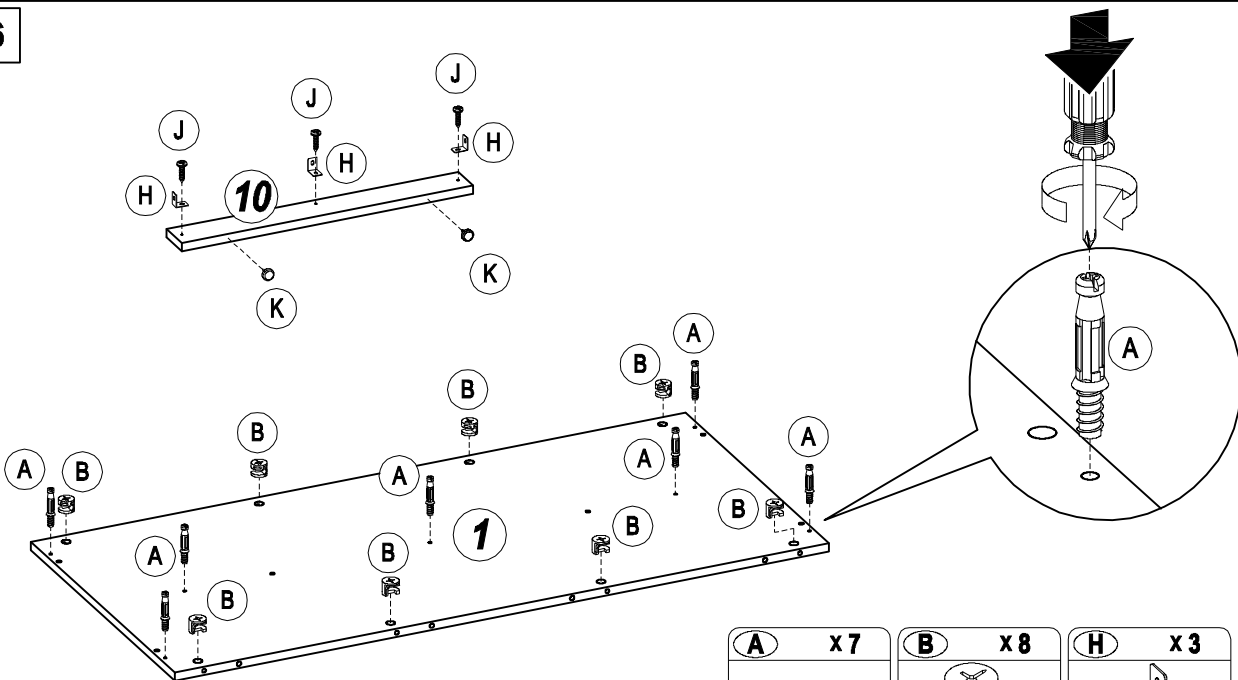
5



C x4

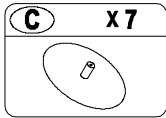
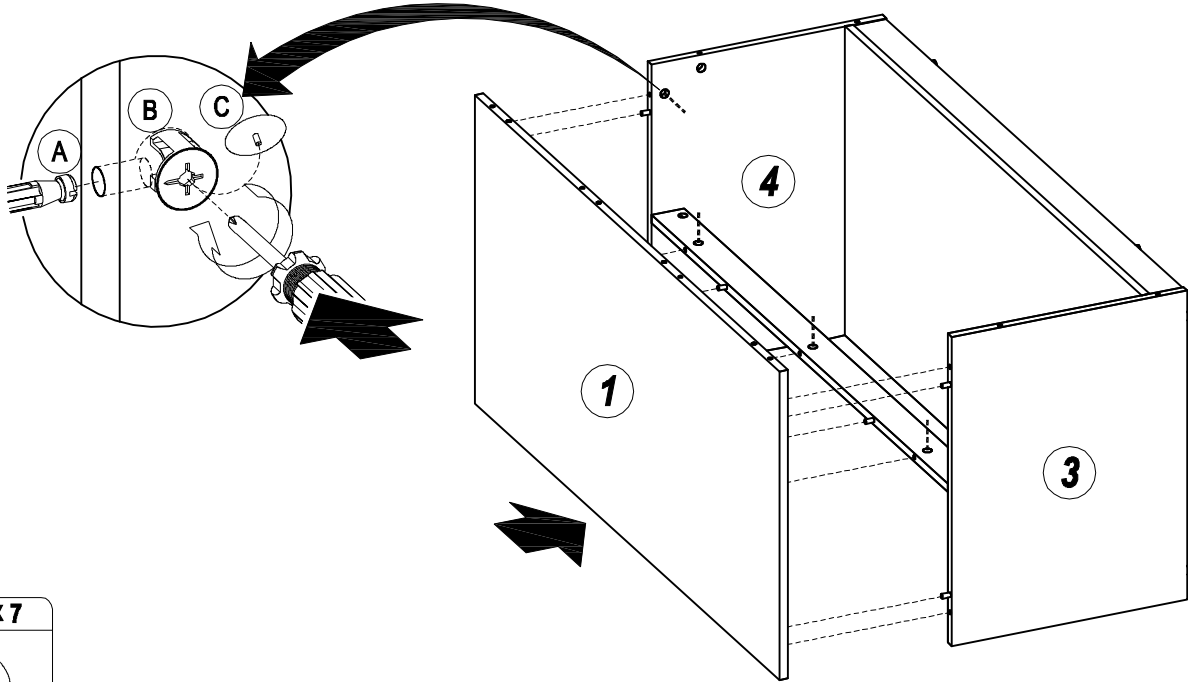


6

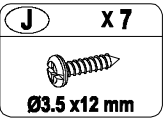
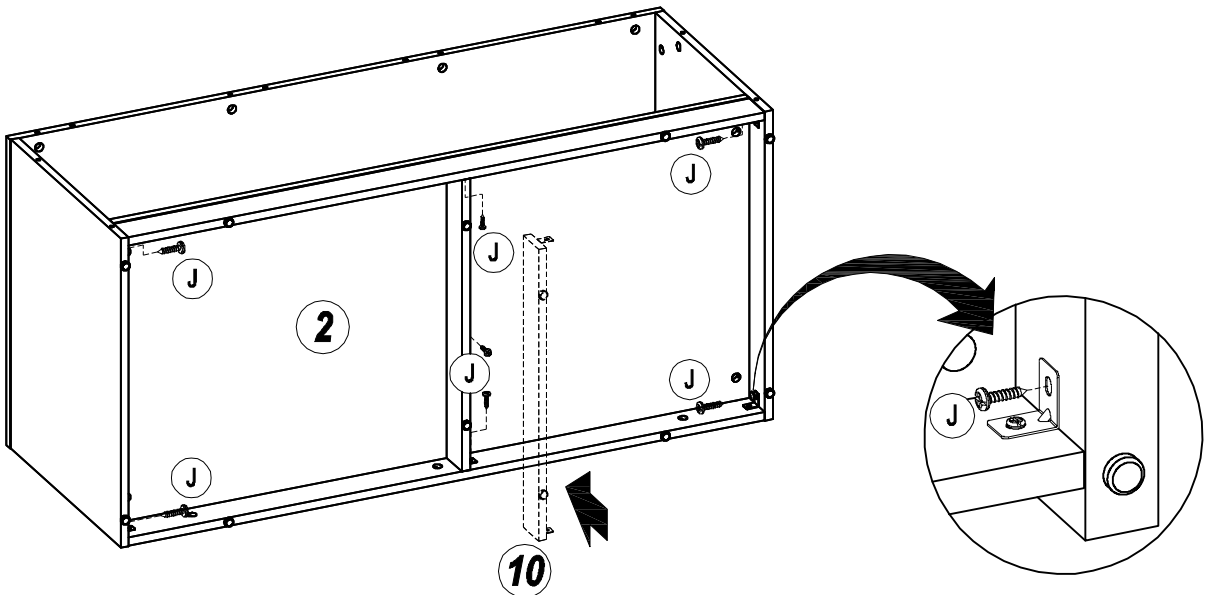


- | | | | |
|---------------|-------------|-------------|-------------|
| A x7 | B x8 | H x3 | J x3 |
| | | | |
| Ø 3.5 x 12 mm | | | |

7

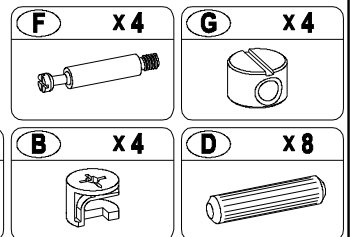
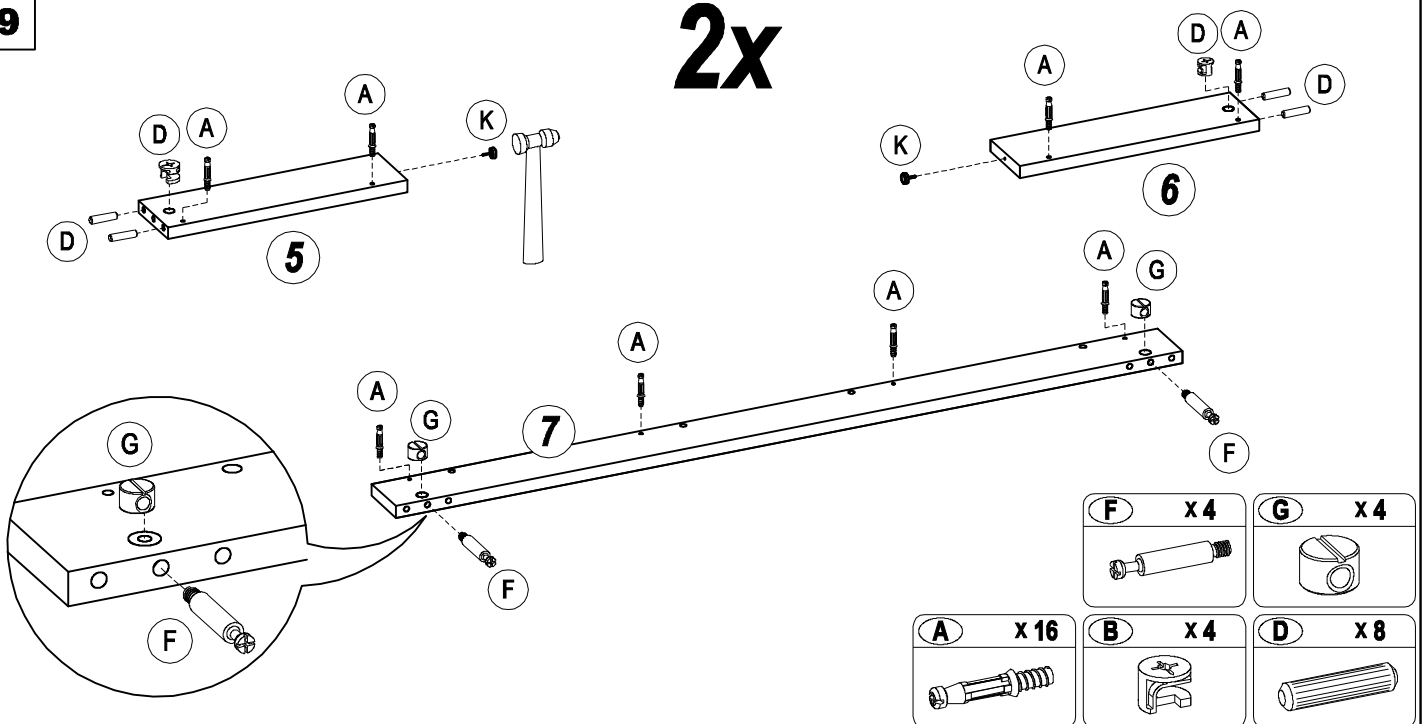


8



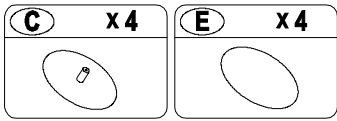
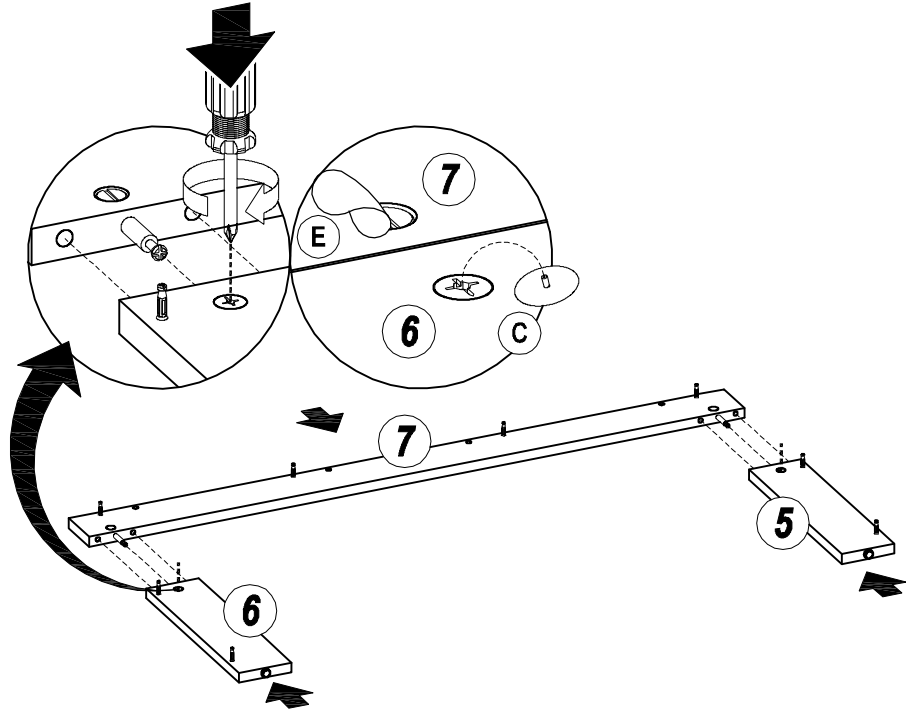
9

2x

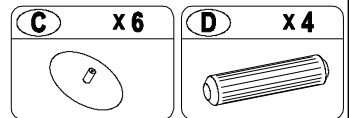
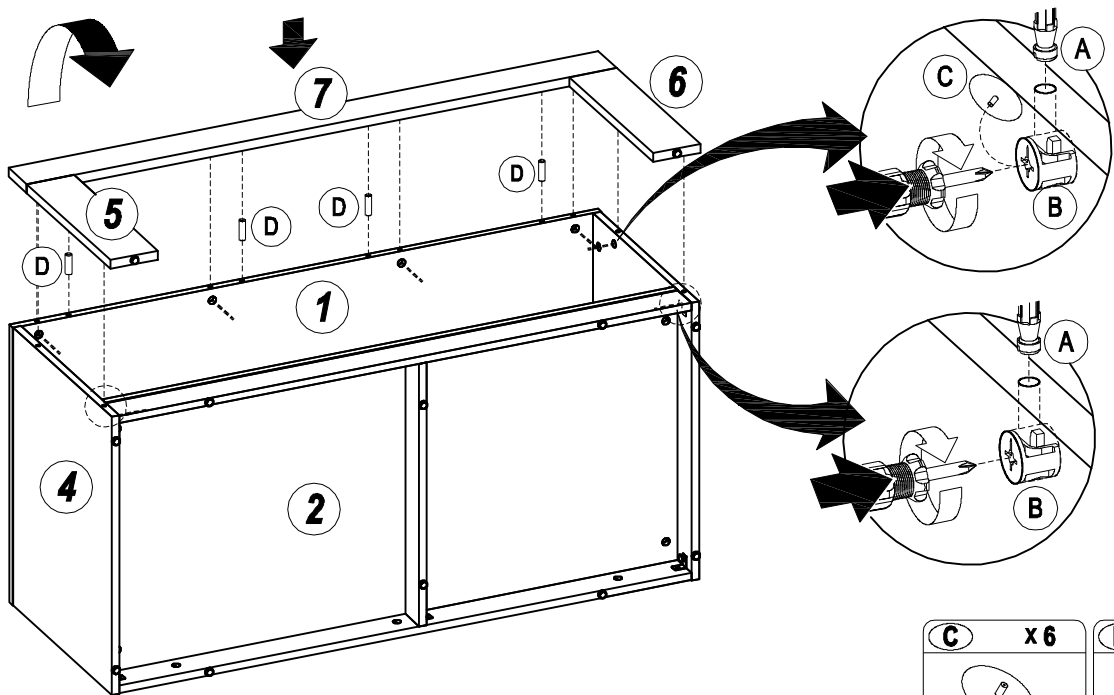


10

2x



11



12

